



Model Number

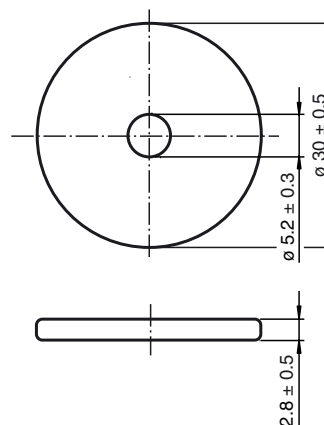
IQC37-30

Data carrier

Features

- Memory 8 kByte
- Degree of protection IP68

Dimensions



Technical data

General specifications

Operating frequency	13.56 MHz
Transfer rate	26 kBit/s

Memory

Chip Type	FRAM MB89R112 (Fujitsu)
Type/Size	FRAM 8 kByte, fixcode 64 Bit
Read cycles	unlimited
Write cycles	unlimited
Data retention period	10 years

Ambient conditions

Ambient temperature	-20 ... 85 °C (-4 ... 185 °F)
Storage temperature	-40 ... 85 °C (-40 ... 185 °F)

Mechanical specifications

Degree of protection	IP68 according to EN 60529
Material	
Housing	PA6T/6I-GF50
Mass	3 g

Compliance with standards and directives

Directive conformity	
R&TTE Directive 1995/5/EC	EN 300330-2:2010 V1.5.1
Standard conformity	
Electromagnetic compatibility	EN 300330-2:2010 V1.5.1
Degree of protection	EN 60529:2000
RFID	ISO/IEC 15693-1:2010, ISO/IEC 15693-2:2006, ISO/IEC 15693-3:2009, ISO/IEC 18000-3:2008

Notes

The surface containing the text must face the read/write head.

Read/write distances

- ① IQH1-18GM-V1 ② IQH1-F61-V1 ③ IQH1-FP-V1
- ④ IQH1-F15-V1

Reading range in air IQC37-30

